

# TROILBOOM AF

- Rapid response oil containment boom

TROILBOOM AF ("Airfilled") incorporates two Monsun type air valves per section. Up to 200 metres of TROILBOOM AF can be stored on a reel which can be deployed in less than 5 minutes. ASTM quick connectors are provided for the quick assembly of boom sections. The TROILBOOM reels are fitted with an over speed brake and a coupling for a hydraulic drive motor. Alternatively they can be supplied with a hand crank. TROILBOOM AF is manufactured in bright orange PVC or Polyurethane coated woven polyester. A top wire combined with ballast chain provides for a high tensile strength. The smooth profile of the TROILBOOM AF facilitates cleaning after use in an oil spill.



TROILBOOM AF is a light-weight rapid response inflatable boom that is ideal for operations in ports, harbours, inland and coastal waters - where a quick response is required.

**TROILBOOM AF**



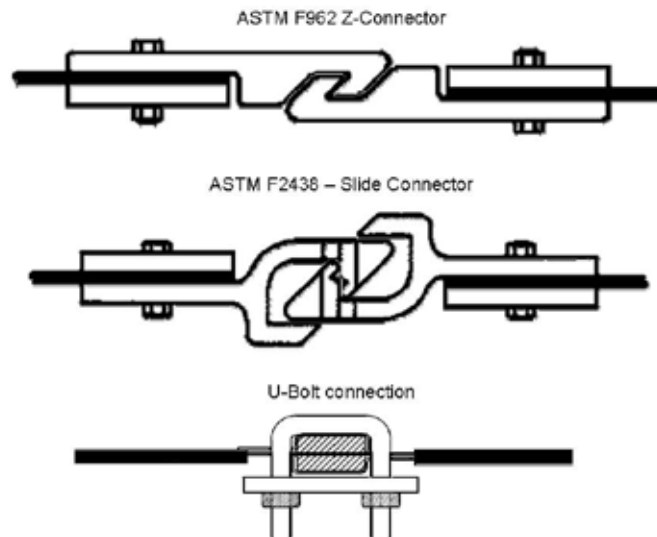
## Advantages of TROILBOOM AF:

- The highly flexible construction allows the TROILBOOM AF to closely follow the wave movements
- A full range of boom reels, tote bags, anchoring and towing systems are available to compliment TROILBOOM AF
- TROILBOOM AF can simply be supplied on skids for deployment
- TROILBOOM REELS can be provided in hand crank or powered versions
- Choice of fabrics available – 900gsm Polyurethane or 1000 gsm PVC
- Top tension wire

## TECHNICAL DATA

	AF 450	AF 600	AF 750	AF 900
<b>Fabric</b>	1000 gsm PVC standard or optional 900 gsm PU			
<b>Section length*</b>	12.5 m	12.5 m	12.5 m	12.5 m
<b>Free-board</b>	200 mm	300 mm	350 mm	400 mm
<b>Draught</b>	250 mm	300 mm	400 mm	500 mm
<b>Total height flat</b>	535 mm	745 mm	925 mm	1100 mm
<b>Connector</b>	ASTM/Unicon	ASTM/Unicon	ASTM/Unicon	ASTM/Unicon
<b>Valves</b>	Monsun	Monsun	Monsun	Monsun
<b>Top wire</b>	4 mm	4 mm	5 mm	5 mm
<b>Ballast chain</b>	6 mm	6 mm	8 mm	8 mm
<b>Weight per metre (approx.)</b>	2.0 kgs	2.5 kgs	3.3 kgs	3.6 kgs

\* Other section lengths on request.



**TROILBOOM AF**

**- Contact one of the offices below for further information**



All information is subject to change, and pictures are for illustration purposes only, and not necessarily correct.

**www.ro-cleandesmi.com**



**Head Office**  
RO-CLEAN DESMI A/S  
Hestehaven 61  
DK-5260 Odense S  
Phone: + 45 65 91 02 01  
Fax: + 45 65 48 16 15  
E-mail: Denmark.ro-clean@desmi.com

**U.S.A. Office,**  
APPLIED FABRIC TECHNOLOGIES INC  
PO Box 575,  
227 Thorn Ave,  
Orchard Park, NY 14127  
Tel: +1 716 662 0632  
Fax: +1 716 662 0306  
E-mail: bestboom@afti.com

**U.K. Office**  
RO-CLEAN DESMI LTD.  
Unit 24, Shamrock Quay  
William Street  
Southampton, SO14 5QL  
Tel. +44 23 80829751  
Fax. +44 23 80339190  
E-mail: uk.ro-clean@desmi.com

**Latin America Office**  
RO-CLEAN DESMI LATINOAMERICA S.A.  
Calle Amagasi del Inca E14-68 y 2°  
Transversal  
Edificio RO-CLEAN DESMI - PB  
Quito-Ecuador  
Tel.: +593 2 326 1939  
Fax: +593 2 326 4844  
E-mail: Latinoamerica.ro-clean@desmi.com

**Asia Office**  
RO-CLEAN DESMI ASIA  
50/F Menara BCA  
Jl. MH. Thamrin No. 1  
Jakarta 13010 Indonesia  
Tel: +62 21 2358 4468  
Fax: +62 21 2358 4401  
E-mail: asia.ro-clean@desmi.com