

# TERRAPIN

## - Self-adjusting weir skimmer

At the heart of the TERRAPIN is the self-adjusting weir that automatically sets the depth of the weir according to the pumping rate. Pump faster and the weir will sink lower and take a deeper cut. Pump slower and the weir will rise up and take a finer cut.

The TERRAPIN has been designed with industrial applications in mind. The unit may be used free floating with a 1¼ in suction hose connected to the underside. Alternatively a suction hose, connected to the top of the skimmer, can suspend the TERRAPIN.

The diameter of the TERRAPIN is only 410 mm / 16 in, which permits access into drains and through manholes in storage tanks. This skimmer may be considered for hazardous areas.

The TERRAPIN is constructed in marine grade stainless steel, moulded polyethylene and polyurethane - making it resistant to oils and many environments found in industrial applications.



The TERRAPIN is a new self-adjusting weir skimmer ideal for installation and deployment in tanks, industrial separators, wells and sumps where floating oil and other floating liquids need to be recovered.

**TERRAPIN**



### Advantages of the TERRAPIN

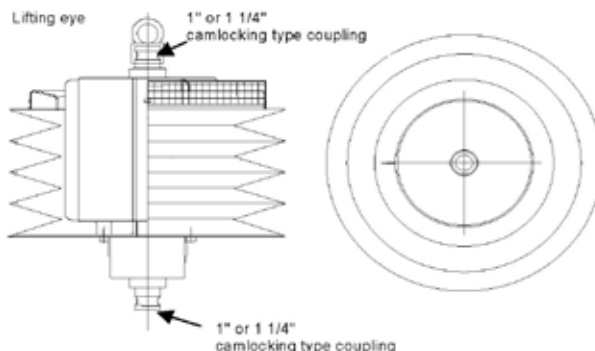
- Self-adjusting floating weir skimmer that is ideal for industrial applications – tanks, drains, sumps, and oil separators
- Top and bottom suction connections
- 410 mm / 16 in diameter
- Shallow draught
- Lightweight
- Corrosion and oil resistant materials
- Virtually maintenance free!
- Skimming up to 10,000 litres/hour / 44 US gpm
- Low cost

### TECHNICAL DATA

**Diameter:** 410 mm / 16 in  
**Inlet weir:** 350 mm / 13 ½ in  
**Top of float to bottom of skimmer:** 380 mm / 15 in  
**Maximum capacity:** 10,000 litres per hour / 44 US Gallons per minute.  
**Maximum draught:** 335 mm / 13¼ in  
**Connections:** 1¼ in male Camlock type coupling.  
**Materials:** Stainless steel, polyurethane and polyethylene – chemical and acid resistant.  
**Weight:** 8.5 kg / 19 lbs  
**Suitable pumps:** Pumps should be ideally self-priming suction type such as diaphragm, peristaltic etc with variable flow. The TERRAPIN may also be used with vacuum trucks.  
**Hose:** Suction hose with floats available on request.

The self-adjusting weir will descend to the lower position when the suction rate is increased, and take a deeper skim of the liquid. The TERRAPIN has a bottom connection for tanks and larger bodies of water.

At slower suction rates the weir will be in a higher position providing finer skimming of the surface. Using the top connection the TERRAPIN can be lowered into sumps, drains and tanks.



**TERRAPIN**



All information is subject to change, and pictures are for illustration purposes only, and not necessarily correct.

**- Contact one of the offices below for further information**

[www.ro-cleandesmi.com](http://www.ro-cleandesmi.com)



**Head Office**  
RO-CLEAN DESMI A/S  
Hestehaven 61  
DK-5260 Odense S  
Phone: + 45 65 91 02 01  
Fax: + 45 65 48 16 15  
E-mail: [Denmark.ro-clean@desmi.com](mailto:Denmark.ro-clean@desmi.com)

**U.S.A. Office,**  
APPLIED FABRIC TECHNOLOGIES INC  
PO Box 575,  
227 Thorn Ave,  
Orchard Park, NY 14127  
Tel: +1 716 662 0632  
Fax: +1 716 662 0306  
E-mail: [bestboom@afti.com](mailto:bestboom@afti.com)

**U.K. Office**  
RO-CLEAN DESMI LTD.  
Unit 24, Shamrock Quay  
William Street  
Southampton, SO14 5QL  
Tel: +44 23 80829751  
Fax: +44 23 80339190  
E-mail: [uk.ro-clean@desmi.com](mailto:uk.ro-clean@desmi.com)

**Latin America Office**  
RO-CLEAN DESMI LATINOAMERICA S.A.  
Calle Amagasi del Inca E14-68 y 2°  
Transversal  
Edificio RO-CLEAN DESMI - PB  
Quito-Ecuador  
Tel.: +593 2 326 1939  
Fax: +593 2 326 4844  
E-mail: [Latinoamerica.ro-clean@desmi.com](mailto:Latinoamerica.ro-clean@desmi.com)

**Asia Office**  
RO-CLEAN DESMI ASIA  
50/F Menara BCA  
Jl. MH. Thamrin No. 1  
Jakarta 13010 Indonesia  
Tel: +62 21 2358 4468  
Fax: +62 21 2358 4401  
E-mail: [asia.ro-clean@desmi.com](mailto:asia.ro-clean@desmi.com)