

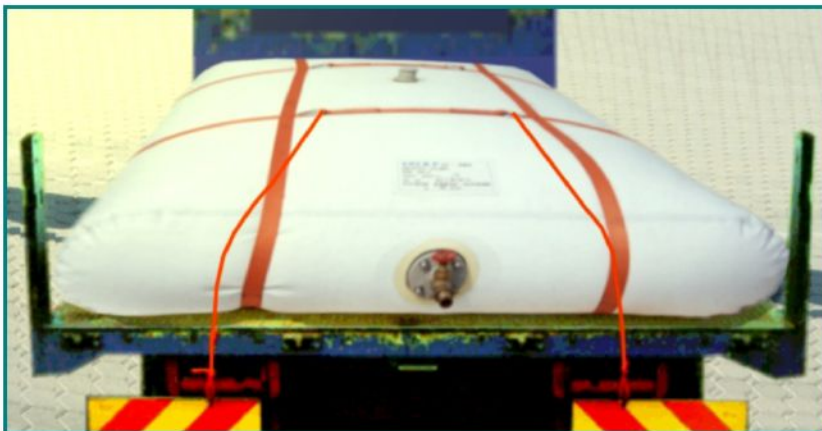


SO.CA.P. *Reserves the right of making changes to the products and their technical characteristics without notice.*

The foldable tanks **type R/TR** and **R2/TR**, with pillow-like shape, are made with polyester fabric coated on both faces with plastomers suitable to the liquid to be contained.

These tanks are suitable to contain and transport various liquids like:

drinking water, industrial water and slightly concentrated acid or alkaline solutions (type **R/TR**),
fuels (type **R2/TR**).



The tanks are complete of a harnessing set to fix them to the transport vehicle.

Their use is particularly indicated when liquid transport by means of conventional tanks is not convenient.



The tank is foldable and can be stored after usage into particularly reduced spaces.

FOLDABLE TANK

TYPE R/TR and R2/TR

Description

The foldable tanks type **R/TR** and **R2/TR**, with a pillow-like shape, are made with polyesther fabric coated on both faces with plastomers suitable to the liquid to be contained.

The tanks are fitted with filling/emptying valve and air vent valve and can be stored after usage into particularly reduced spaces.

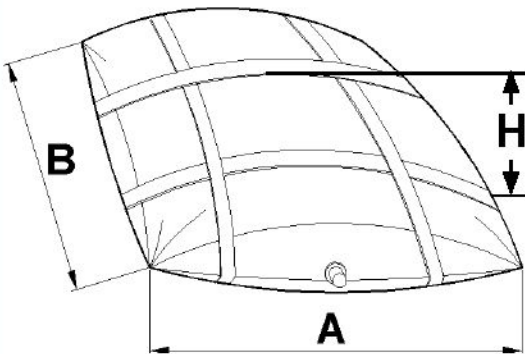


Usage

These tanks are suitable to contain and transport various liquids.

Their use is particularly indicated when liquid transport by means of conventional tanks is not convenient..

Technical datas



Materiale:

R/TR : Non toxic PVC

R2/TR : Polyuretane (Ref. MIL T 52983 Rev E)

Capacity (m ³)	Sizes of filled tank			Approx weight	
	B	A	H	R/TR	R2/TR
		(m)		(kg)	
3.0	3,2	2,2	0,6	29	28
5.0	5,0		0,7	36	35
7.5	5,5		0,8	42	40
10.0	6,5		0,9	49	47
12.5	8,0		1,0	57	54
15.0	9,0		1,0	66	63
20.0	11,5		1,0	83	80

Max temperature of use : +50°C

Standard capacity : from 3 to 20 m³

Storage temperature range : -10°C +50°C

Supplied accessories

- ◆ 2 inches size valve for filling/emptying with hose adaptor
- ◆ Vent valve
- ◆ Permanent repair kit
- ◆ Emergency repair kit
- ◆ Harnessing set to the vehicle

Optional accessories