



## FLANGE INSULATION KITS TECHNICAL DATA SHEET

The insulation kits represents a major innovation in the field of protection of metal flange, especially in all those plants requiring protection from corrosion and needing electrical insulation.

This solution electrically insulates flanges and prevents the flow of electric charges between flanges along the pipeline's plant.

The main areas of use of these kits are:

- off – shore installations
- seawater environments
- chemical installations
- oil refinery pipelines

The standard kit includes:

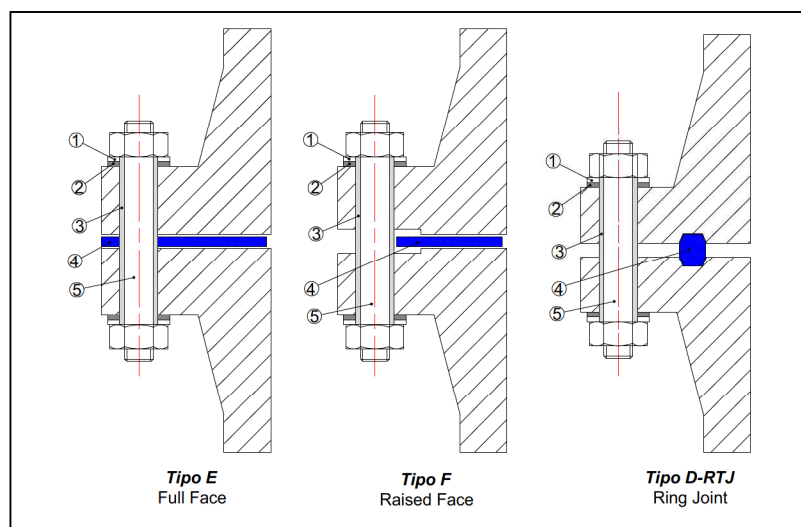
- N°2 plated steel washers (1)
- N°2 Insulating washers (1)
- N°1 insulating sleeve (1)
- N°1 gasket

These kits are provided by the size of the flange.

The kits vary depending on the type of flange and are divided into three categories:

- F Type for raised face flange
- E Type for full face flange
- D-RTJ Type for ring joint flange

### Schematic kit examples:

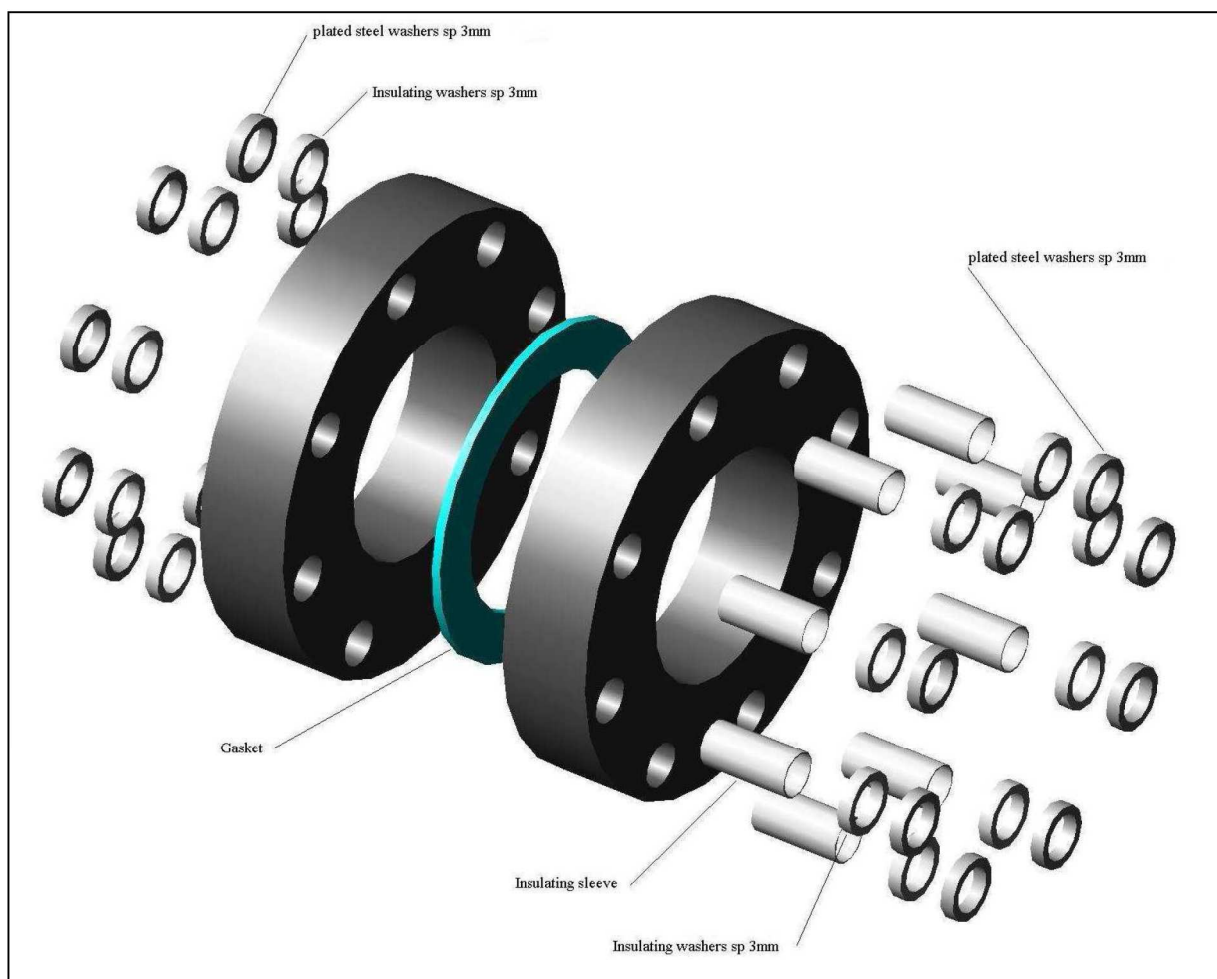


- |  |
|--|
| <ol style="list-style-type: none"> <li>1) Plated steel washer sp.3mm</li> <li>2) Insulating Washer sp.3mm</li> <li>4) Insulating sleeve</li> <li>4) gasket</li> <li>5) Bolt</li> </ol> |
|--|

<p><b>NB:</b> The material seal is selected according to the Customer's needs</p>
---



### 3D example Insulation Kits implementation:



### Kit supply conditions:

1) For each bolt flange will be provided:

- N°1 insulating sleeve
- N°2 plated steel washers
- N°2 Insulating washers

2) For each flange will be provided:

- N°1 gasket according to the operating conditions and customer's specifications